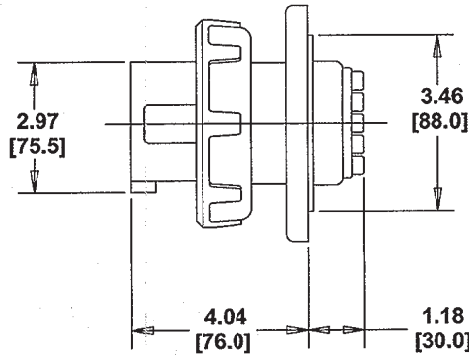
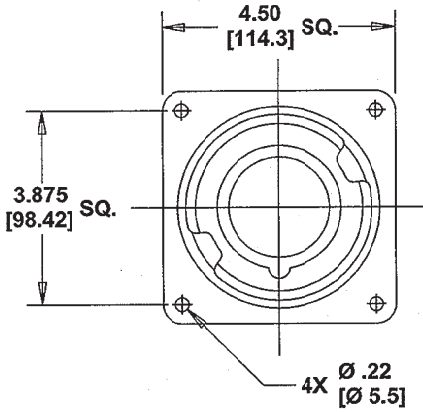


M-6094 6



LIST OF PARTS		
DESCRIPTION	MATERIAL	FINISH
HOUSING	SEE TABLE	
GASKET	NEOPRENE	
LOCK RING	POLYESTER	
INTERIOR	THERMOSET	
PINS	BRASS	
TERMINAL SCREWS	ST. STEEL	
FLANGE	NYLON	
ASSEMBLY SCREWS	ST. STEEL	

DIMENSION SHEET FOR CAT. NO. **SEE TABLE**

REPAIRABLE NON-REPAIRABLE

B

M-6094

6

SYM	REVISIONS	APP	DATE
6	ADDED CAT#HBL560B6V02 REMOVED CAT. #HBL560B6W PER DCN 19871 SPN	DJP	6/7/13
5	ADDED CAT #HBL560B6W TO TABLE PER DCN 17478. MYA	TLS	3/11/11
4	REDRAWN ON CAD WITH CHANGES. ADDED NOTES 1 & 2, "HOUSING" AND "COMMENTS" COLUMNS TO TABLE. IN TABLE: ADDED "240/415VAC TO HBL563B6W, "A" WAS "AMP", AND REMOVED CAT. NO. HBL560B6W. "Ø" WAS "DIA." AND "DXX.XI" WAS "MM". IN LIST OF PARTS, "SEE TABLE" WAS "NYLON" AND "NEOPRENE" WAS "RUBBER". .22 DIM. WAS 7/32. SUPERSEDES DWG. DATED 4/28/80 PER DCN #12944. JMN	DJP	6/28/06

THE DESIGN AND DIMENSIONS OF THE PRODUCT SHOWN ON THIS DRAWING ARE SUBJECT TO CHANGE WITHOUT NOTICE

TITLE
60A & 63A 4 POLE 5 WIRE PIN AND SLEEVE INLETS

TOLERANCES UNLESS OTHERWISE SPECIFIED	WIRING DEVICE-KELLEMS HUBBELL INCORPORATED BRIDGEPORT, CT	
FRACTIONS ± 1/64	DR. BY W.T.C.	APP. BY DJP
DECIMALS ± .005	TR. BY JMN	SCALE NONE
ANGLES ± 2°	CHK'D BY DJP	DATE 6/28/06

CAT. NO.	CONFIGURATION	RATING	COMMENTS	HOUSING		CAT. NO.	CONFIGURATION	RATING	COMMENTS	HOUSING	
				MATERIAL	COLOR					MATERIAL	COLOR
						HBL560B7W		60A 3ØY 277/480 VAC		NYLON	RED
						HBL560B9W		60A 3ØY 120/208 VAC		NYLON	BLUE
						HBL560B6V02		60A 3ØY 200/346 VAC 240/415 VAC		VALOX	RED
HBL560B5W		60A 3ØY 347/600 VAC						63A 3ØY 200/346 VAC 240/415 VAC		NYLON	BLACK
HBL563B6W		63A 220/380VAC 240/415 VAC								NYLON	RED

NOTES (UNLESS OTHERWISE SPECIFIED)
 1) TOLERANCES ARE:
 DECIMALS ± .03
 ANGLES ± 2°
 2) DIMENSIONS ARE: INCHES
 [MILLIMETERS]